

# The Ahooga News



**NOVEMBER 2019**



The official newsletter of the Beaver Chapter Model A Ford Club of America, Portland, Oregon  
Volume 57, Issue 11

## BEAVER CHAPTER MAFCA PORTLAND, OREGON

The Beaver Chapter is a non-profit organization dedicated to the restoration and preservation of the Model A Ford automobile. Membership is open to all people with a sincere interest. Members will be asked to volunteer a minimum of three hours annually to fill the club duty roster of the Portland Swap Meet.

The Beaver Chapter memberships commence on January 1st or on the date paid and expires on December 31st. A \$5.00 late fee charged after January 1<sup>st</sup> for renewals.



New memberships received after July 1st are valid for the following year. Beaver Chapter dues are \$10.00 for a member plus \$1.00 for a spouse member.

**Make check payable to Beaver Chapter, submit signed membership application to the Membership Coordinator at the meetings or send them to:  
Rayburn Mitchell at 23101 SE Firwood Rd. Sandy, OR 97055.**

By-laws Article III, Section 2 states: "Membership in the national club (MAFCA) shall be a prerequisite for all active members of the Beaver Chapter."

MAFCA dues are \$50.00. Mail to: MAFCA, 250 S. Cypress Ave., La Habra, CA 90631.

### CLUB OFFICERS FOR 2019

**President: Chris Irwin 503.538.5227**

**Vice President: Barbara Henderson 503.657.1890**

**Secretary: Michael Haight 503.663.3263**

**Treasurer: Ron Forehand 971.207.1516**

**Member at Large: Tom Popelka 503.656.4758**

**Editor: Jeanie Adair 503.655.3189**

**Membership Coordinator: Rayburn Mitchell 503.668.0872**

**Sergeant at Arms: Mike Worthington 503.788.5965**

**Past President: Richard Starkweather 503.327.1252**

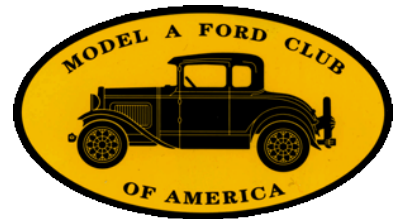
### CLUB REPRESENTATIVES FOR 2019

NW Regional Group Reps: David Adair and Tom Winterrowd; Portland Swap Meet: Mike Worthington and Debbie Dutton; Historian: Lloyd Dilbeck; Sunshine: Brenda Caseday; Raffle Prizes: Lori Symank; Refreshments: Mary McConnell; MAFCA Chapter News: Tom Irwin.

Articles and contributions for the newsletter is encouraged and will be used as space and time permits. **The deadline is the weekend following the meeting unless announced otherwise.** Correspondence should be sent directly to the Editor: [jadadaja@msn.com](mailto:jadadaja@msn.com) or mailed to 895 Hazelwood Dr. Oregon City, OR 97045. Other newsletters may reprint article as long as credit is given to the author and *The Ahooga News*.

**Beaver Chapter Web Site:** <http://beaverchapter.shutterfly.com>

**REFRESHMENTS:** November is Pie Night - everyone bring a pie to share! It's time to sign up for refreshments for next year, see Mary McConnell for the sign up list.



## PRESIDENTS COLUMN

Well, we just got home from this month's tour. Yes, it is 6:30pm so what a long day but it was a lovely way to spend the day. For many years, Pat Brost led a tour to a number of Oregon's covered bridges. Unfortunately, we lost Pat a few years back but lucky for us Tim Brost, Pat & Patty's son, decided to carry on his father's tradition. He resurrected his Dad's maps and put together this tour for us. For the past years I had not been able to make this trip so I finally got my chance to make this trek. Our first stop was the Gallon Bridge just outside Mt. Angel. After leaving this bridge we carried on through the countryside to the historic Macleay Inn for lunch. The tour started with seven Model A's and three MI's. Due to other commitments we lost one Model A after the Gallon Bridge stop and a second one after lunch. Travelling through some beautiful roads and enjoying the fall colors we ended up visiting five more covered bridges, ending up at the Dairy Queen in Stayton for ice cream, always a good stop for any tour. The weather prediction was pretty dismal but we ended up with very few light showers and even some good sunshine for one of the legs. Thanks again, Tim, for taking up this wonderful tradition. Hopefully you will do it again next year and for those of you that have not done this before you should really try to make next time around.

It hardly seems possible to realize that 2019 is closing in on us. There is still a number of events happening before the end of the year. We only have one more general club meeting left. One of the best things about this meeting is that it is pie month. Members are asked to bring their favorite pie to the meeting for our refreshments and we end up with an incredible assortment of these delicious treats. It is also the last chance to bring in your photos that you have taken over this past year. They need to be an 8" X 10" in size. Put your name on the back and give them to Lyn McDonald. He will display them at our Christmas Potluck for all members to vote on and the winner will be announced at our annual January banquet. And just to mention our Christmas Potluck, it will be held on December 7<sup>th</sup> at the Milwaukie Senior Center. Lori Symanck has organized this event for several years



but this will be her last one so let's think about who might like to put this together for next year. This year's theme will be "Polar Express". We always have such great food at this one so you won't want to miss it. I also hope you have all been keeping track of your Model A mileage for the year. J Wyllie will be collecting those miles driven at the end the year. We have this incredible traveling award for the winner of this contest.

See you all at the November meeting and be sure to bring your pie appetite. We will also be opening up elections for board members for 2020 and then will have a vote for our new board. Consider running for an office. It is a good way to help keep our club going in the right direction.

**Chris Irwin, President**

### Beaver Chapter Banquet

Mark your calendar for the clubs annual banquet... It will be Saturday January 18th at the Monarch again this year. Full details in next months newsletter.





### MYSTERY MODEL A PART THIS MONTH

Submit your guess at the club meeting, be sure to write your name and your guess on the ticket. The first correct guess drawn will win a gift card.

Sometimes someone unexpected comes into your life out of nowhere, makes your heart race and changes you forever...

We call these people cops.

### MODEL A BRAKES

While trying to fix his brakes  
David made some mistakes  
You know rear brakes come left and right  
But one of his was out of sight!  
It was more than two weeks  
The right one he did seek...

Besides loosing his smarts  
And loosing some parts  
For help he asked his mate.  
She said "If its not too late."  
"I will help you look."  
And that's all it took!  
She said "What's in this crate?"  
The part he misplaced!  
Now he's red in the face!!

~MJA

## HOW TO DETERMINE YOUR REAR END RATIO

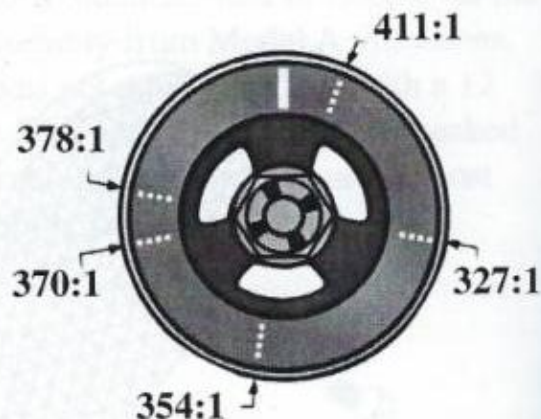
Here's one way to find out the ring and pinion ratio in your Model A. Park on a flat surface with several feet of clear space in front. Remove all four spark plus. Put a chalk mark on a rear tire at 6 o'clock as shown. Mark the front of the crank pulley at 12 o'clock. With the help of a friend, and the transmission in high gear, push the vehicle forward and watch the mark on the crank pulley. Count the number of times the mark on the pulley reaches 12 o'clock and stop when the tire mark is at 6 o'clock again. Note the position of the mark on the crank pulley. The mark you made will be at approximately the area of your gear ratio as shown.



*With 411:1, the crank pulley will have made 4 1/8 revolutions.*

*The crank pulley will have made three complete revolutions, then a little past 3/4 of a turn with a ratio of 3.78:1 (standard).*

*Submitted by Dan Ritt, Mt. Arab, Ohio  
Illustrated by Dick Lewis, Lawrenceburg, Indiana*



## A THANKSGIVING POEM

May your stuffing be tasty,  
May your turkey plump,  
May your potatoes and gravy  
have nary a lump.  
May your yams be delicious  
and your pies take the prize,  
and may your  
Thanksgiving dinner  
stay off your thighs!





## Beaver Chapter Board Meeting October 16, 2019

Call to order: 6:00 P.M. The September board meeting minutes were approved.

**Reports:** Past President: Richard Starkweather - Reviewed the nominees for the various board positions for 2020.

Vice President: Barbara Henderson - Absent, but tours for the remainder of the year are in place and taken care of at this time. We wish Barbara a good recovery. Sunday Oct. 20 will be the Marion County covered bridge tour. November tour will be a tour of various people's garages. Details will be announced by David Adair.

Treasury: Ron Forehand - gave the board a short report and advised the board to work on controlling expenses.

Editor: Jeanie Adair - Brought up her concerns of newsletter cost especial for mailing. Attaching membership applications to the newsletter takes up a great deal of space forcing mailing of these forms.

Sgt.-at- Arms/Swap Meet: Mike Worthington - Emailed the board the Swap Meeting notes for the month of October. Anyone interested may contact Mike and he will email a copy. Parking, vendor, sponsorships, and advertising duties continue to be in critical need for people to manage them.

Membership: Rayburn Mitchell- Reports out of our 273 members 131 have signed up as a result of his campaign for early submission of applications with the \$25 gift certificate drawing as an incentive. He expects there to be good number of sign ups at this month's meeting. The \$25 drawing will be carried into November. The club is having good success due to Rayburn's efforts.

**Old Business:** Michael Haight – Recommended that the board table his proposal for tour rule changes. Suggest leaving current touring rules in place. He suggested that a committee needs to work on changes next year.

**New Business:** Mike Worthington – Policies & Procedures on Charitable Gifts proposal was reviewed by the board. The Board was in favor of Mike's proposal as written with a single minor rewording that would clarify the cutoff dates for proposed charitable contributions. Mike will add the necessary verbiage and turn it into Rayburn Mitchell to be inserted in the 2020 member's directory.

Tom Popelka – The board discussed the charitable contribution program. The board recommends to keep the charitable amount to \$3000. This is to be split between Clackamas Community College, Portland State Community College, and the Brook's Speedster program. There were no Charitable Gift ideas suggested from membership last month.

Chris asked the board if we will need more time for the November Board Meeting due to 2020 budget review? If so we can make arrangements for a separate meeting back at Bob's Red Mill office. The board determined that additional time will not be needed in order to work on a 2020 proposed budget so the November board meeting will be as normally scheduled.

Adjourn: 7:10 P.M.

Respectively submitted,

Michael Haight, Secretary

My ability to remember song lyrics  
from the 60's far exceeds  
my ability to remember  
why I walked into the kitchen.



## October 2019 Beaver Chapter General Meeting

Call to order at 7:30 P.M. By Chris Irwin. A Motion to approve September meeting minutes as printed in Ahooga Newsletter was made. seconded and approved unanimously.

**Refreshments:** Thank you to Glenn & Shirley Slack for snacks and Ted Downs for beverages.

**Name Tag Drawing:** Mike Worthington won the drawing.

**Tips & Leads:** If anyone needs a good locksmith call Alasta Lock & Safe Company located at 702 S.E. Grand in Portland, Oregon. They specialize in keys and locks for antiques and old cars.

**Treasurer:** Ron Forehand-Gave a brief treasury report.

**Vice President:** Barbara Henderson – Absent – Tim Brost gave the details for the October covered bridge tour that will be held this Sunday October 20th.

**Membership:** Rayburn Mitchell - Up dates the members on the membership drive and plans to hold one last drawing in November. Almost half the club has returned their application in September.

**Swap Meet:** Mike Worthington – Updated the club on the recent Swap Meet committee meeting held earlier this month.

**Past President:** Richard Starkweather – Reported the current nominations for board positions. There were no nominations from the floor. The current nominations are: President - Lynn Sondena, Vice President – Tom Winterowd, Secretary – Kirk Metteer, Treasurer – Mike Worthington, Sergeant at Arms – Rene Metteer, Member at Large – Tom Popelka, Membership – Rayburn Mitchell, Editor – Jeanie Adair, Past President – Chris Irwin.

**Sunshine:** Brenda Caseday reports that Barbara Henderson had some recent cardiac issues aneurysm that did not burst but did require some stents. She was hospitalized for over 2 weeks and just released home on Sunday. We sent her flowers and a card. Bill Henderson was also recently informed he is having gallbladder issues and will require surgery in the very near future.

J Wyllie has a bulging disc that he has known about for a while but has recently started causing issues again and will be getting an MRI and deciding how best to proceed. (We will send a card)

Ken Proffitt is again having issues with his pacemaker and there is some question if the wires were not connected correctly. (We will send a card)

Burt Uthe was recently hospitalized and had his gallbladder removed. Amanda reports he should be getting discharged home tomorrow. (We will send a card.)

Art Pugsley reported that Bob Huset recently passed away. Art will be speaking at his celebration of life in the near future.

**Raffle:** Lori displayed a number of items to be raffled off. Lori also reported on the December potluck to be held on December 7<sup>th</sup> at the Milwaukie Senior Center. This year's theme will be "Polar Express".

**Membership Drawing:** Michael Haight won the Membership drawing of \$75.00 for this month.

**New Business:** Chris reminded the club to turn their mileages into J Wiley at the end of this year and their photos to Lyn McDonald by the November general meeting. Photos will be displayed and voted on at the December potluck.

**Break:** 5-minute break to purchase raffle tickets

**Seminar after meeting:** David Adair presented a seminar on repainting old license plates.

**Adjourn Meeting 8:24 PM**

Respectively submitted,

Michael Haight, Secretary

The November meeting is election time of Beaver Chapter Board Members for next year. Now is the time to consider stepping up to serve the club as an officer. It's not too late... nominations will still be open at the meeting. Come and vote!!

## October Demonstration Checking Engine Bearing Clearance



Rayburn Mitchell hosted the guys as he and David Adair demonstrated the process of Model A engine bearing clearance. This was an exercise of the blind leading the blind, we sort of knew what to do but none of us had ever done this. Two engines were checked.



Rayburn getting a 9/16" square socket...



There was more than enough goodies for 12 men!

Bill, Kirk and Tom looking at a bearing cap after Plasti Gauge was used.



### Turkey Fight

What happened when the turkey got into a fight?

He got the stuffing knocked out of him!





David with engine on end using his weight to help break loose bolts on the front main...



Kirk helping on the center main...



Center main with Plasti Gauge (note the blue line) ready to be checked.



Rayburn recruited Lisa to help, he said "I think us fellas are very lucky to have such tolerant wives!"

I think Lisa is dreaming of when she will get to drive their coupe!

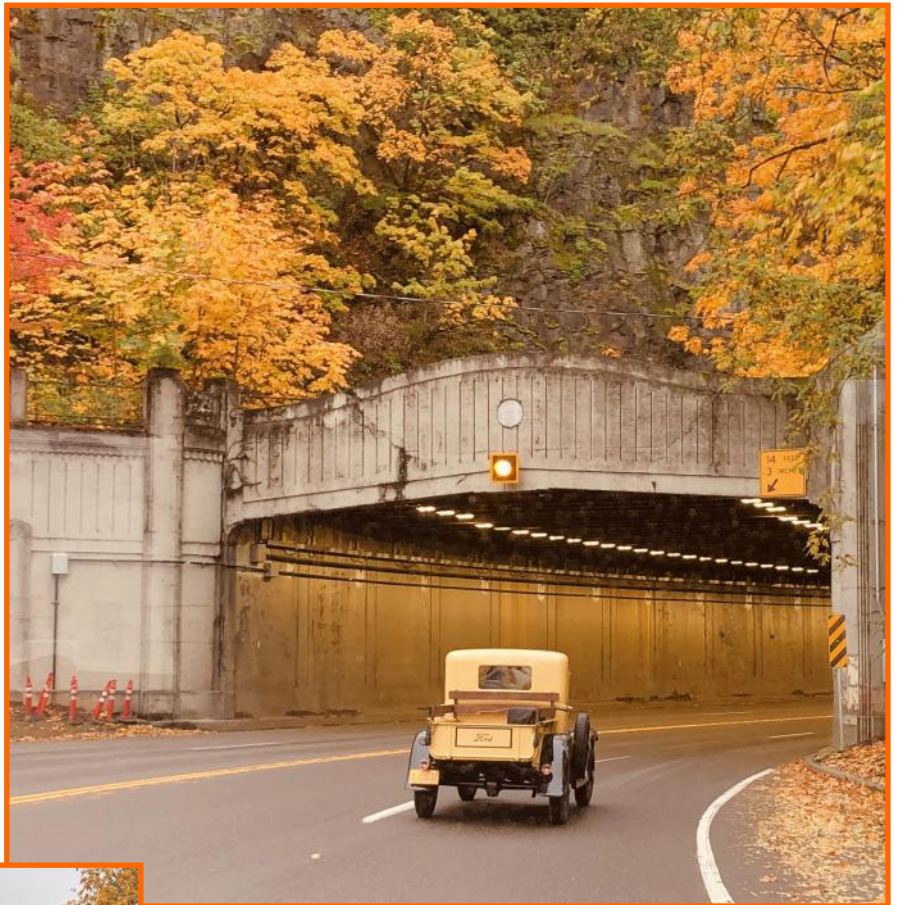
## Covered Bridge Tour

Tim Brost was tour leader for an all day drive south through the eastern Willamette valley. This was a tour his dad, Pat, use to lead almost every year as an "unofficial" tour.

There were seven Model A's and three modern iron on the tour, with a total of 18 people out for the day.

Lunch was at the Macleay Country Inn - just like always! It's another interesting spot to visit and provided a photo op for our Model A's.

Of course the main attraction was the covered bridges. Each one so different. We visited seven, driving through most of them.



The weather forecast was for rain and there was some, but the wonderful fall foliage provided many bright colorful pictures as we traveled along the backroads. Thanks Tim for a great tour.



"Never say "no" to adventures.  
Always say "yes",  
otherwise you'll lead a very dull life."  
~Ian Fleming



### Thanksgiving Weather Forecast

In the pre-Thanksgiving rush, we have received an early weather report from our in-house weather reporters.

Turkeys will thaw in the morning, then warm in the oven to an afternoon high near 190 degrees. The kitchen will turn hot and humid, and if you bother the cook, be ready for a severe squall or cold shoulder.

During the late afternoon and evening, the cold front of a knife will slice through the turkey, causing an accumulation of one to two inches on plates. Mashed potatoes will drift across one side while cranberry sauce creates slippery spots on the other. Please pass the gravy.

A weight watch and indigestion warning have been issued for the entire area, with increased stuffiness around the beltway. During the evening, the turkey will diminish and taper off to leftovers, dropping to a low of 34 degrees in the refrigerator.

Looking ahead to Friday and Saturday, high pressure to eat sandwiches will be established. Flurries of leftovers can be expected both days with a 50 percent chance of scattered soup late in the day. We expect a warming trend where soup develops. By early next week, eating pressure will be low as the only wish left will be the bone.

**CALENDAR  
OF  
EVENTS**



**Beaver Chapter Board Meeting**, Wednesday, November 20th, 6PM at Clackamas Community Center, 15711 SE 90th, Clackamas, OR 97015. On the same evening is the **Beaver Chapter Membership Meeting**. Social and refreshments start at 7PM followed by the meeting at 7:30PM. We will have nomination and election of officers for the new 2020 board members at the meeting. Remember to submit your 2020 Membership Application to the Membership Coordinator, Rayburn Mitchell for the **Membership Drive**. **Remember - it's Pie Night** - bring a pie to share.

**November Garage Tour**

Saturday, November 23rd  
Meet at 9AM for a 9:30 departure

**Different Meeting Place:**

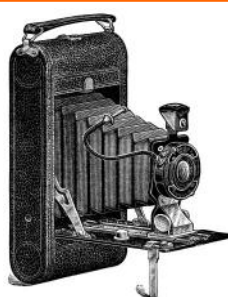
Oregon City Winco  
located at 19701 Highway 213  
We will be visiting three club members garages on the tour.  
At the last stop you can warm up with a hot bowl of chili.

**DUES ARE DUE RENEW NOW!**

**If someone forgets your birthday, take it as a compliment. You must have not aged enough to be noticed.**

**NOVEMBER BIRTHDAYS**

Sandra Pargman	4 <sup>th</sup>
Terry Findley	6 <sup>th</sup>
Rene Metteer	10 <sup>th</sup>
Pat Dusenberry	11 <sup>th</sup>
Yvonne Scheller	11 <sup>th</sup>
Tim Woodman	11 <sup>th</sup>
Barbara Henderson	16 <sup>th</sup>
Tom Ryan	16 <sup>th</sup>
Bill Jabs	19 <sup>th</sup>
Ray Calkins	21 <sup>st</sup>
Steven Fancher	21 <sup>st</sup>
Dixie Wyllie	21 <sup>st</sup>
Tim McCarty	22 <sup>nd</sup>
Stan Symank	24 <sup>th</sup>
Mike McLaughlin	29 <sup>th</sup>
Betty Jo Daily	30 <sup>th</sup>



**Have you taken any great photos of Model A's this year?** It's time to submit your photo's for the Photo Contest.

**Photo Contest Rules**

1. Members photos only no professional or photoshopped photos please.
2. Your original photos must include at least one or more Beaver Chapter Model A's, which may or may not include people; taken this year. (Example: Club tour photo, parades, with grandkids, special occasions etc.)
3. Mail one or more of your 8x10 photos with your name and date on the back to Lyn McDonald or bring them to the meeting. Deadline is November 20, the night of the club meeting.
4. Photos will be displayed at the December Christmas Potluck where members will vote for their favorite. The winner will be announced at the January banquet and awarded \$100.

**FUTURE UPCOMING EVENTS:**

Saturday, December 7th, 6PM Beaver Chapter Christmas Potluck  
Beaver Chapter Annual Banquet will be in January at the Monarch in Clackamas again, more details next month...

**2019 Beaver Chapter Mileage Award**

Add up the mileage that you drove your Model A this year, or total of if you have more than one, and submit that to J Wyllie before the end of the year. His phone number is 503.663.5238. You could be the recipient of the Mileage Award traveling trophy!

